

Contents



Sliding Door Assemblies NIKO Typ 03-04 75 kg

For one panel or parallel panel doors.

Page 3-5



Sliding Door Assemblies NIKO Typ 07 75 kg

For one panel or parallel panel doors.

Page 6



Sliding Door Assemblies NIKO Typ 80 80 kg

For one panel or parallel panel doors.

Page 7



Sliding Door Assemblies NIKO Typ LLK 84 125 kg

For one panel or parallel panel doors.

Page 8

2



Assembly for Glass Sliding Door Typ INOG 80 kg

For one panel or parallel panel doors.

Page 9-10



Assemblies for Sliding Door Panels Typ 04-01 30-60 kg

For one panel or parallel panel doors.

Page 11-12



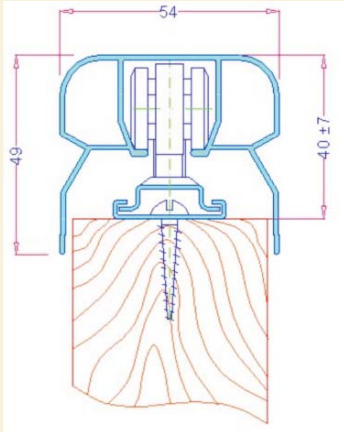
Sliding Door Assemblies Typ 11/12/21 15/60/75 kg

For one panel or parallel panel doors.

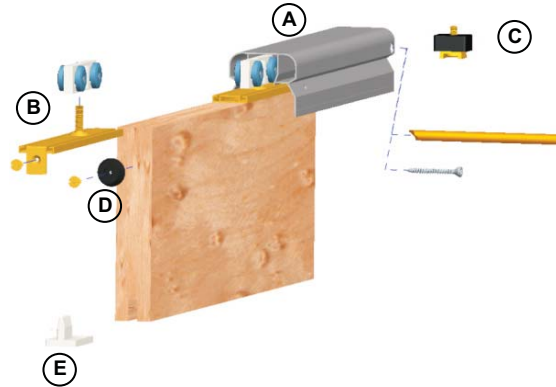
Page 13-15

Sliding Door Assemblies NIKO **Typ 03** 75 kg

with aluminium track



for panel weight up to 75 kg



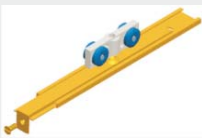
Aluminium sliding door assembly for in- and outdoor applications Smooth-running bearings. Installation in-wall or outside-wall.



Single track

(A)

Part No
03.050



Wheel hanger with nylon base and complete plate bracket

(B)

Part No
03.R45



Track end stop

(C)

Part No
03.X01



Panel end stop

(D)

Part No
03.X02



Guide piece
for in-wall panel

(E)

Part No
38.U45



Guide piece
for outside-wall panel

(F)

Part No
38.U40

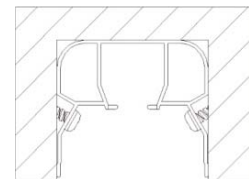


Plastic track cap

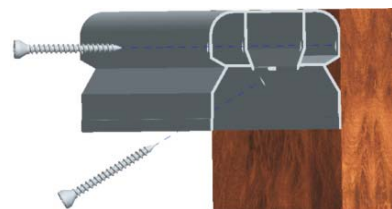
Part No
03.X05



3



For example



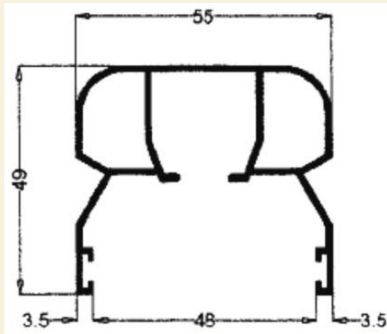
Components set and single components you can find in our Pricelist A

Sliding Door Assemblies NIKO

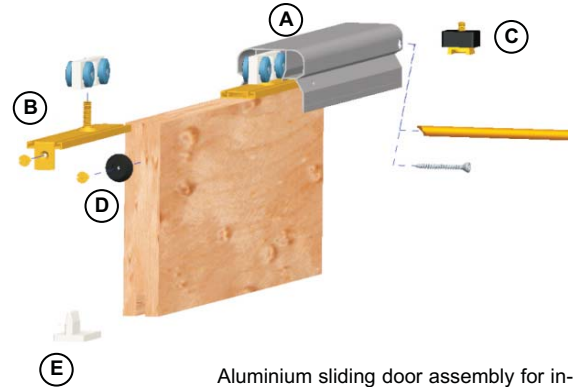
Typ 04

75 kg

with aluminium track

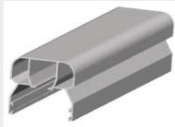


for panel weight up to 75 kg



Aluminium sliding door assembly for in- and outdoor applications Smooth-running bearings. Installation in-wall or outside-wall.

4



(A)

Aluminium track
for brush insulator

Part No
04.050



(B)

Wheel hanger with nylon base and complete plate bracket

Part No
03.R45



(C)

Track end stop

Part No
03.X01



(D)

Panel end stop

Part No
03.X02



(E)

Guide piece
for in-wall panel

Part No
38.U45



(F)

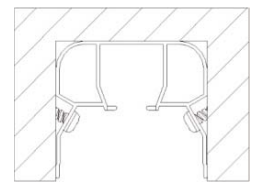
Guide piece
for outside-wall panel

Part No
38.U40

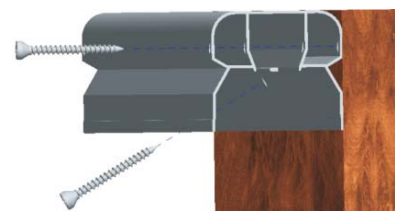


Brush insulator

Part No
04.X10



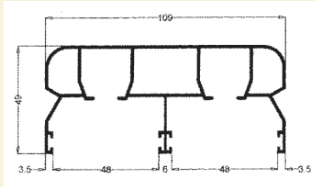
For example



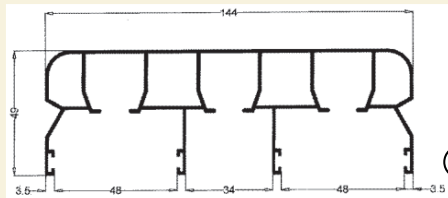
Components set and single components you can find in our Pricelist A

Sliding Door Assemblies NIKO **Typ 04** 75 kg

with aluminium track



(A)



(B)

for panel weight up to 75 kg
for multi-leaf doors

Aluminium sliding door assembly for in-and outdoor applications Smooth-running bearings.



(A)

Aluminium track
for brush insulator

Part No
04.060



(B)

Aluminium track
for brush insulator

Part No
04.070

5



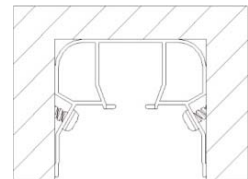
Wheel hanger with nylon base and complete plate bracket

Part No
03.R45



Track end stop

Part No
03.X01



Guide nylon piece

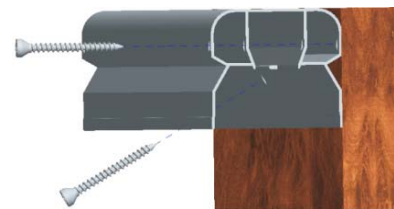
Part No
38.U15



Guide piece
for outside-wall panel

Part No
38.U40

For example



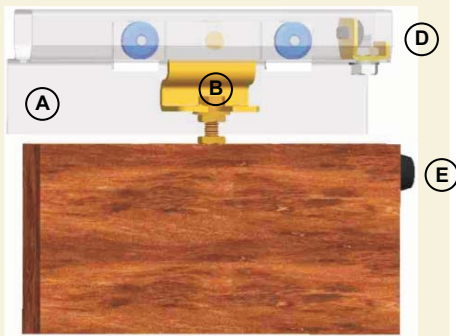
Brush insulator

Part No
04.X10

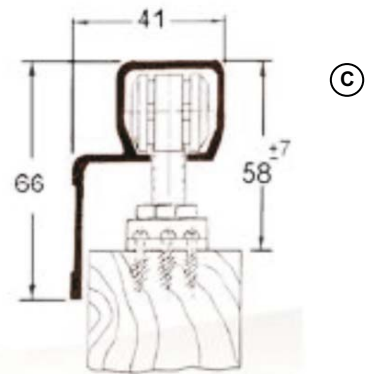
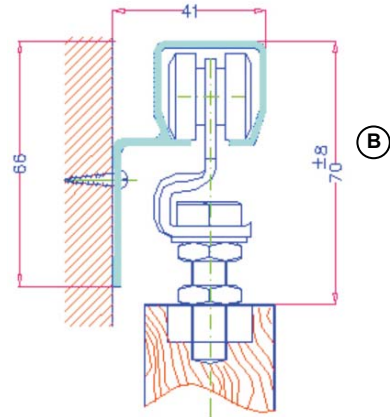
Components set and single components you can find in our Pricelist A

Sliding Door Assemblies NIKO **Typ 07** 75 kg

with aluminium track



For one or more panel doors
for panel weight up to 75 kg



(A) Aluminium track
for brush insulator
Part No
07.050



(B) Wheel hanger for sliding door with bracket
Part No
21.R01



(C) Wheel hanger with nylon base
and suspension bracket
Part No
07.R45



(D) Track end stop
Part No
21.X04



(E) Guide piece
for outside-wall panel
Part No
38.U40



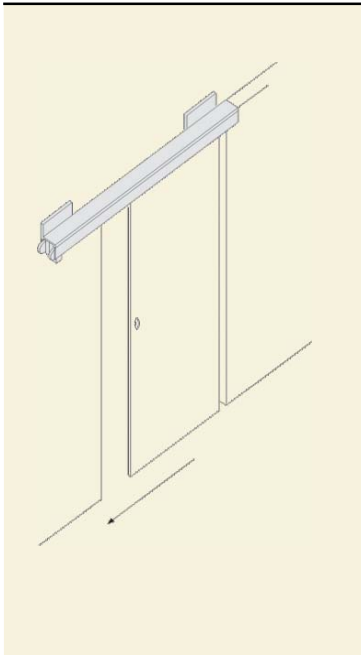
(E) Panel end stop
Part No
03.X02

Aluminium sliding door assembly for in-and
outdoor applications Smooth-running bearings.



bracket to the Wheel hanger series B

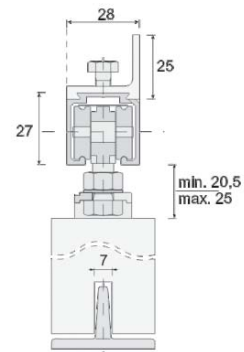
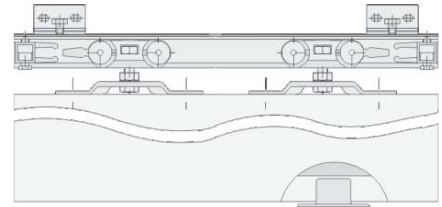
Sliding Door Assemblies NIKO **TYP 80**



Aluminium Schiebetürbeschlag

Aluminium profile anodized
Nylon wheels with ball bearings

for panel weight up to 75 kg



(A)

Aluminium track

Part No
80.000



(B)



(C)



(D)



(E)

Components set for one panel

includes:
2 pcs. Wheel hangers B
2 pcs. Suspension brackets C
2 pcs. End stops D
1 pc. Guide nylon piece E

Part No
80.100



(F)

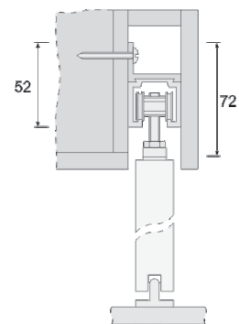
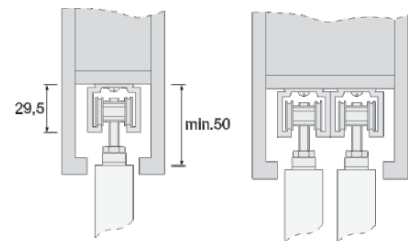
Wall support bracket

Aluminium

Part No
80.B01

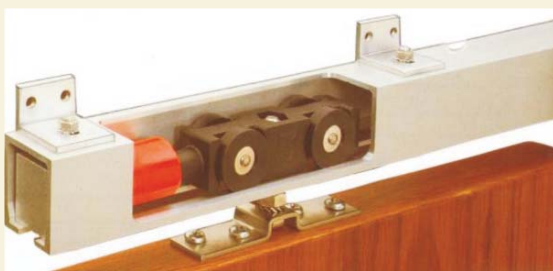
For example

7



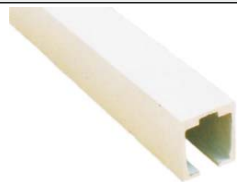
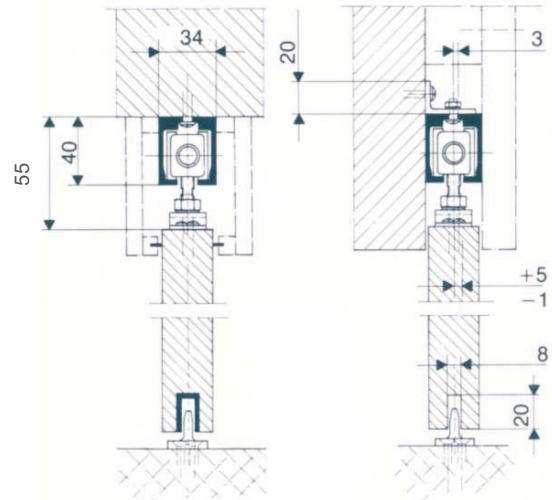
More components you can find in our Pricelist A

Sliding Door Assemblies NIKO TYP LLK



Aluminium Sliding Door Assemblies For panel weight up to 125 Kg

- Aluminium profile anodized
- Wheel hangers fiber-reinforced.
- Stainless steel bearings 100 Cr6
- Screw with axle bearing
- Stainless steel suspension bracket



Aluminium track

(A)

Part No

84.000

8



(B)

Components for one panel door

- includes:
- 2 pcs Wheel hanger B
 - 2 pcs Suspension bracket C
 - 2 pcs End stop D
 - 1 pc Guide nylon piece E



(C)



(D)

Part No

84.100



(E)



Wall bracket

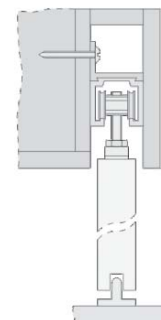
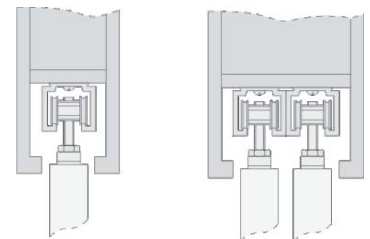
(F)

Part No

84.B01



Montagebeispiele



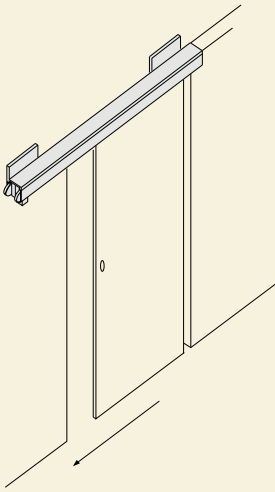
Components set and single components

you can find in our Pricelist A

Sliding Glass Door Assemblies NIKO

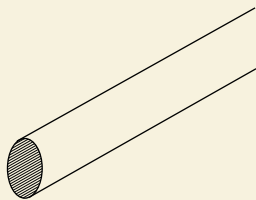
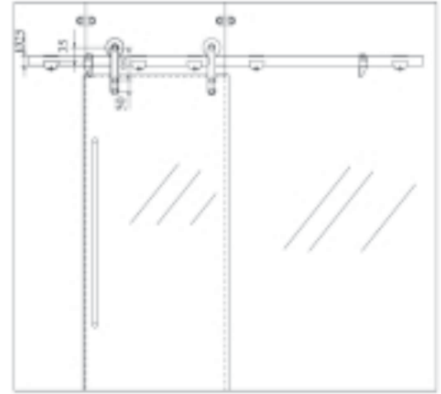
Typ INOG

80kg



Stainless steel

for panel weight up to 80kg
 Glass thickness up to 10-12 mm
 Panel height up to 2500 mm
 Panel width up to 1200 mm



Track profile D=28mm

Part No	40.000 I
---------	----------



Track rollers for glass panel

Components set for glass mounting

includes:
 2 pcs Track rollers for glass panel
 5 pcs Support brackets for glass mounting
 1 pc End stop left
 1 pc End stop right
 1 pc Guide track

Part No	40.100I
---------	---------



Support brackets for glass mounting

Sliding Glass Door Assemblies NIKO

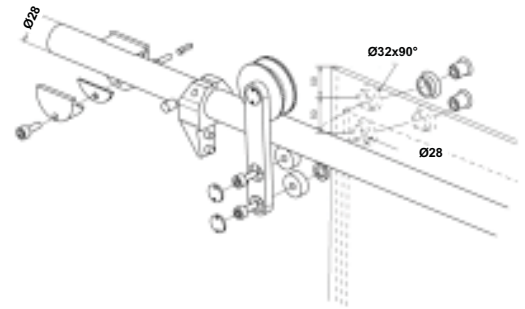
Typ INOG

80kg



Wall support brackets

System for wall mounting



End stop right



End stop left

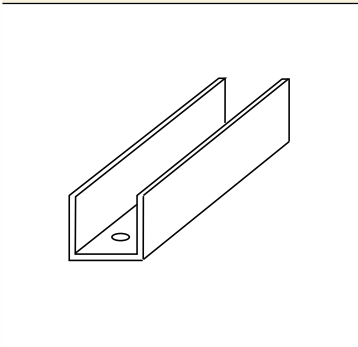
Components set for wall mounting

includes:

- 2 pcs Track rollers for glass panell
- 5 pcs Wall support brackets
- 1 pc End stop left
- 1 pc End stop right
- 1 pc Guide track

Part No	40.200 I
---------	----------

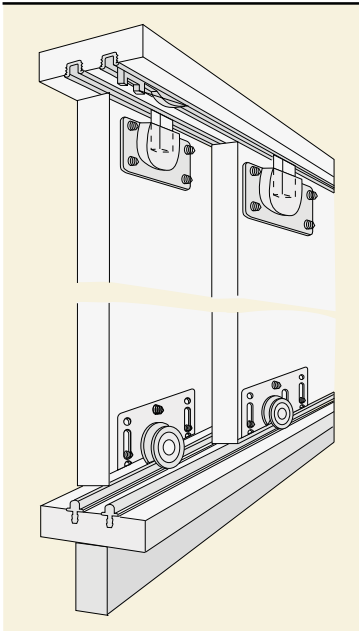
10



Guide track 50 mm

Assembly for sliding door panels **Typ 04**

60 kg



Extreme tough assembly for sliding door panels, wardrobes etc.

For panel weight up to 60 kg
for panel thickness up to 25mm



Single track (guiding)

Aluminium

Part No
74.100



Single track (sliding)

Aluminium

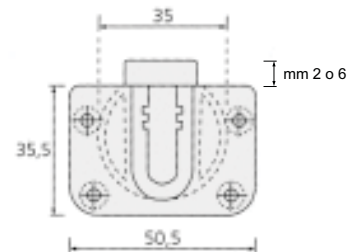
Part No
74.200



Top guide for wardrobes

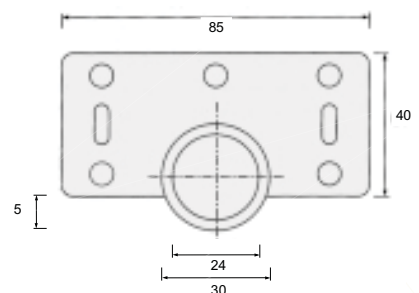
plastic

Part No
4.110



Bottom roller for wardrobes

Part No
04.120



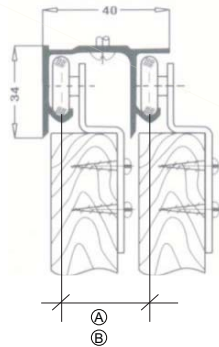
Assembly for liding door panels

Typ 01

30 kg



For panel weight up to 30 kg
for panel thickness up to 25mm



12



Single track for wardrobes
Aluminium

Part No
01.050



Adjustable wardrobe wheel hanger

Part No
02.R26



Double track for wardrobes

Part No
01.060



Guide nylon piece
Plastic

Part No
38.U15



Wardrobe wheel hanger

Part No
01.R25



Guide nylon piece
Plastic

Part No
38.U04



Adjustable wardrobe wheel hanger

Part No
02.R25



Double panel guide
Plastic

Part No
38.U08

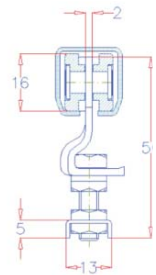
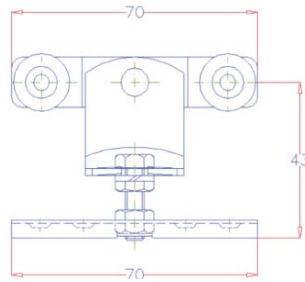
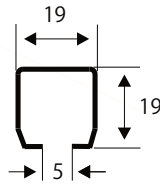
Sliding Door Assemblies Steel

Typ 11

15 kg



for one or panels doors
For panel weight up to 15 kg



Track galv.& yellow chrom.
(yellow finish)

Part No
11.000



Screw wheel hanger with bracket
with bracket

Part No
11.R01



Wall support bracket

Part No
11.B01



Wheel hanger for
sliding glass

Part No
11.R40



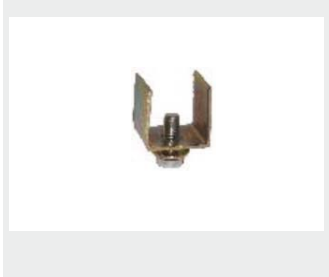
Ceiling support bracket

Part No
11.B02



Wheel hanger with corner bracket

Part No
11.R04



Track end stop

Part No
11.X01



Hanger for curtains

Plastic

Part No
11.R31

Primary wheel hanger
for curtains

Plastic

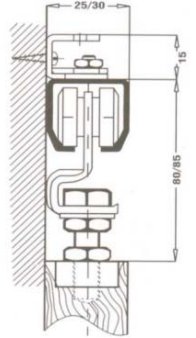
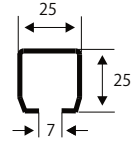
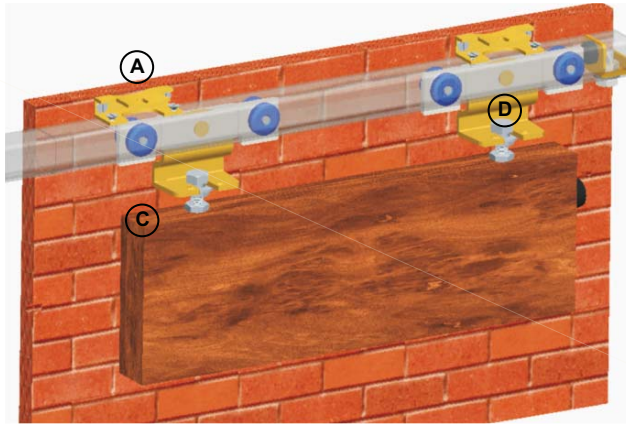
Part No
11.R32

13

Sliding Door Assemblies Steel **Typ 12** 60 kg



For panel weight up to 60 kg



14



Track galv. & yellow chrom.
(yellow finish)

Part No
12.000



Wheel hanger for sliding door
without bracket

Part No
12.R00



Ceiling-wall bracket
for drilled track

Part No
12.B41



Guide nylon piece
plastic

Part No
38.U14



Track end stop

Part No
12.X01



Wheel hanger for sliding door
with corner bracket

Part No
12.R04



Bracket

Typ	Part No
C	21.F00



Hanger for curtains

Part No
12.R31

Primary wheel hanger
for curtains

Part No
12.R32

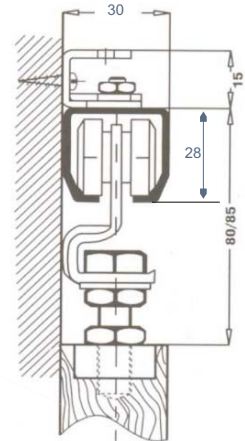
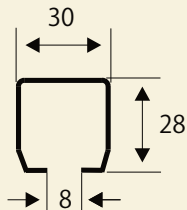
Sliding Door Assemblies

Steel **Typ 21.**

75 kg



For panel weight up to 75 kg



Track galv.& yellow chrom.
(yellow finish)

Part No
21.000



Wheel hanger for sliding door
without bracket

Part No
21.R00

15



Ceiling-wall bracket for drilled track

Part No
12.B41



Guide nylon piece

Part No
38.U14



Track end stop

Part No
21.X04



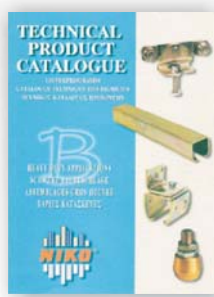
Wheel hanger for sliding
door with corner bracket

Part No
21.R04



Bracket

Part No
21.F00



Catalog B

Heavy duty assemblies
 up to 3000 kg panel weight
 Fittings for folding doors
 Fittings for harmonica doors
 Fittings for gates
 Fittings for mobile wall panels



Catalog C1

Conveyor Systems
 General Material Handling
 Painting lines
 TV Studios

16



Catalog C2

Crane Systems up to 2000 kg
 Stand alone cranes
 Festoon systems



Catalog PSS

Fall arrest Systems
 Certified EN795

TERMS AND CONDITIONS FOR THE SALE OF GOODS

§ 1. Preamble

1. These Standard Terms and Conditions for the sale of export Goods shall exclusively apply, save as varied by express agreement accepted in writing by both parties. 2. The offer, order acknowledgement, order acceptance or sale of any products covered herein is conditioned upon the terms contained in this instrument. Any conditional or different terms proposed by the buyer are objected to and will not be binding upon the seller unless assented in writing by the seller. Our Terms and Conditions apply exclusively also in the case of goods being delivered without reservation to the buyer despite our full awareness of contradicting or varying terms and conditions of the buyer. 3. These conditions shall govern any future individual contract of sale between the seller and the buyer to the exclusion of any other terms and conditions subject to which any such quotation is accepted or purported to be accepted, or any such order is made or purported to be made, by the buyer. 4. Any typographical, clerical or other error or omission in any sales literature, quotation, price list, acceptance of offer, invoice or other document of information issued by the seller shall be subject to correction without any liability on the part of the seller. 5. The provisions of these Standard Terms and Conditions extend to standard contract conditions which are used in a contract with a merchant in the course of business only and apply only to companies, legal persons under public law or public special assets.

§ 2. Orders and Specifications

1. No order submitted by the buyer shall be deemed to be accepted by the seller unless and until confirmed in writing by the seller or the seller's representative within 2 weeks after submittal. 2. The quantity and description of and any specification for the goods shall be those set out in the seller's quotation or the buyer's order. 3. Any such specification, sales literature, quotation etc. shall be strictly confidential and must not be made available to third parties. 4. The buyer shall be responsible for the seller for ensuring the accuracy of the terms of any order submitted by the buyer, and for giving the seller any necessary information relating to the goods within a sufficient time to enable the seller to perform the contract in accordance with its terms. 5. If the goods are to be manufactured or any process is to be applied to the goods by the seller in accordance with the specification submitted by the buyer, the buyer shall indemnify the seller against all loss, damages, costs and expenses awarded against or incurred by the seller in connection with infringement of any patent, copyright, design, trade mark or other industrial or intellectual property rights of any other person which results from the seller's use of the buyer's specification. 6. The seller reserves the right to make any changes in the specification of the goods which are required to conform with any applicable statutory requirements or, where the goods are to be supplied to the seller's specification, which do not materially affect their quality or performance.

§ 3. Price of the Goods

1. The price of the goods shall be the seller's quoted price or, where no price has been quoted the price listed in the seller's published price list current at the date of acceptance of the order. 2. The seller reserves the right, by giving notice to the buyer at any time before delivery, to increase the price of the goods to reflect increase in the cost to the seller which is due to any factor beyond the control of the seller (such as foreign exchange fluctuation, currency regulation, alteration of duties, significant increase in the cost of materials or other costs of manufacture) or any change in delivery dates. 3. Except as otherwise stated under the terms of any quotation or in any price list of the seller, and unless otherwise agreed in writing between the buyer and the seller, all prices are given by the seller on an ex works basis, and where the seller agrees to deliver the goods otherwise than at the seller's premises, the buyer shall be liable to pay seller's charges for transport. 4. The seller bears the cost of the usual packaging; charges for special packaging will be borne by the buyer. 5. On buyers request, the seller will insure the goods at the expense of the buyer. 6. Prices are exclusive of VAT, which must then be paid to the seller additionally.

§ 4. Terms of Payment / Prepayments

1. The buyer shall pay the price of the goods immediately upon receipt of invoice, unless a payment deadline is granted in the invoice. 2. Payment shall be effected by inter bank payment transaction only; no cheque or bill of exchange will be considered as fulfillment of the payment obligation. 3. It may be agreed between the parties that the buyer has to deliver a letter of credit issued by his bank (or any bank acceptable to the seller). In this individual case it is assumed that any letter of credit will be issued in accordance with the Uniform Customs and Practice for Documentary Credits, 1993 Revision; ICC Publication No. 500. 4. If the buyer fails to make any payment on the due date then, without any prejudice to any other right or remedy available to the seller, the seller shall at his discretion be entitled to:

- cancel the contract or suspend any further deliveries to the purchaser; or
- charge the buyer interest on the amount unpaid, at the rate of 4 per cent per annum above Federal Reserve Bank Rate/Bundesbank Discount Rate from then being valid, until payment in full is made. The buyer shall be entitled to prove that the delay of payment caused no or little damage only.

5. Advancements, prepayments and installments paid by the buyer to the seller regarding customized goods or goods which empirically have a rare demand are not refundable by the seller. 6. Payments will first be applied to accumulated costs, then to interest and then to the oldest main demand.

§ 5. Delivery

1. Delivery of the goods shall be made by the buyer collecting the goods at the seller's premises at any time after the seller has notified the buyer that the goods are ready for collection or, if some other place for delivery is agreed by the seller, by the seller delivering the goods to that place. 2. If a fixed time for delivery is provided for in the contract, and the seller fails to deliver within such time or any extension thereof granted, the buyer shall be entitled, on giving notice in writing to the seller within a reasonable time, to claim a reduction of 0,5 % per week (and up to a maximum of 5%) of the price payable under the contract, unless it can be reasonably concluded from the circumstances of the particular case that the buyer has suffered no loss. This limit shall not apply if the business had to be settled on a fixed date or if the delay was caused negligently or intentionally by the seller, his agents or representatives or if there is any future breach of any essential contractual obligation. 3. If for any reason whatever the seller fails within such time to effect delivery, the buyer shall be entitled by notice in writing to the seller to fix a deadline after the expiry of which the buyer shall be entitled to terminate the contract. After the expiry of the above mentioned fix deadline the buyer may also recover from the seller any loss suffered by the buyer by reason of the failure of the seller. 4. If the buyer fails to accept delivery on due date, he shall nevertheless make any payment conditional on delivery as if the goods had been delivered. The seller shall arrange for the storage of the goods at the risk and cost of the buyer. If required by the buyer the seller shall insure the goods at the cost of the buyer.

§ 6. Transfer of Risk

Risk of damage to or loss of the goods shall pass to the purchaser as follows:

- in the case of goods to be delivered otherwise than at the seller's premises, at the time of the delivery or, if the buyer wrongfully fails to take delivery of the goods, the time when the seller has tendered delivery of the goods;

- in the case of goods to be delivered at the seller's premises ("ex works", Incoterms 2000) at that time when the seller notifies the purchaser that the goods are available for collection.

§ 7. Risk of damage to or loss of the goods shall pass to the purchaser as follows:

- in the case of goods to be delivered otherwise than at the seller's premises, at the time of the delivery or, if the buyer wrongfully fails to take delivery of the goods, the time when the seller has tendered delivery of the goods;

- in the case of goods to be delivered at the seller's premises ("ex works", Incoterms 2000) at that time when the seller notifies the purchaser that the goods are available for collection.

1. Notwithstanding delivery and the passing of risk in the Goods, or any other provision of these conditions, the property in the goods shall not pass to the buyer until the seller has received payment in full of the price of the goods and all other goods agreed to be sold by the seller to the buyer for which payment is then due. 2. After termination of the contract the seller shall have absolute authority to retake, sell or otherwise deal with or dispose of all or any part of the goods. 3. Until such time as the property in the goods passes to the buyer, the buyer shall hold the goods as the seller's fiduciary agent, and shall keep the goods properly stored, protected and insured. Until that time the buyer shall be entitled to resell or use the goods in the ordinary course of business, but shall account to the seller for the proceeds of sale or otherwise of the goods including insurance proceeds, and shall keep all such proceeds separate from any moneys or properties of the buyer and third parties. 4. The buyer is only entitled to further disposal or processing in consideration of the following conditions:

- The buyer may only dispose of or process the reserved merchandise in a proper business office and only if there is no lasting decline in his financial circumstances.
- The buyer herewith transfers the demand with all secondary rights resulting from sales of the reserved merchandise - including possible balance demands - to the seller.
- If the goods are processed or reshaped by the buyer and if processing is done with goods that the seller has no property in, the seller shall become co-owner of the goods. The same shall apply if the seller's goods are completely reshaped and mixed with other goods.

- If the buyer has sold the demand within the bounds of a real factoring, he will transfer the newly resulting demand of the factor to the retailer and will forward him a share of his sales proceeds amounting to the value of the seller's right on the merchandise. The buyer is obligated to reveal the transfer to the factor if he is more than 10 days overdue with the payment of an invoice or if his financial circumstances decline substantially. The seller accepts this transfer.

5. If third parties take up steps to pledge or otherwise dispose of the goods, the buyer shall immediately notify the seller in order to enable the seller to seek a court injunction. If the buyer fails to do so in due time he will be held liable for any damages caused. 6. The seller shall on demand of the buyer release any part of the collateral if the value of the collateral held in favour of the seller's decision to release those parts of the collateral suitable for him.

§ 8. Warranties, exclusion clauses and limitation period

1. The buyer shall examine the goods as required and raise any objections within 8 days after receiving the goods. 2. The seller warrants that all items delivered under this agreement will be free from defects in material and workmanship, conform to applicable specifications, and, to the extent that detailed designs have not been furnished by the buyer, will be free from design defects and suitable for the purposes intended by the buyer. 3. The seller shall not be liable for the normal process of wearing down during use of the goods and goods being fit for a particular purpose unless otherwise agreed upon, to which the buyer intends to put them. 4. The above warranty is given by the seller subject to the following conditions:

- the seller shall not be liable in respect of any defect in the goods arising from any design or specification supplied by the buyer;
- the seller shall not be liable under the above warranty if the total price for the goods has not been paid by the due date for payment;
- the above warranty does not extend to parts, materials or equipment manufactured by or on behalf of the buyer unless such warranty is given by the manufacturer to the seller.

5. This warranty does not cover defects in or damage to the products which are due to improper installation or maintenance, misuse, neglect or any cause other than ordinary application. 6. Any discharge from liability will be void if a defect results from negligent or intentional breach of contract on the part of the seller. The same applies if the seller may be held responsible for the breach of any further essential contractual obligation. 7. The buyer is entitled to demand the delivery of any substitute goods, or repair. 8. Where any valid claim in respect of any goods which is based on any defect in the quality or condition of the goods or their failure to meet specification is notified to the seller in accordance with these conditions, the seller shall be entitled at the seller's sole discretion to either replace the goods free of charge or repair the goods. If the seller is neither ready nor able to either repair or replace the goods the buyer shall be entitled at the buyer's sole discretion to claim for a reduction of price or a cancellation of the contract. 9. All the purchaser's demands concerning defects will lapse within a limitation period of 1 year as of the legal lapse beginning.

§ 9. Miscellaneous clauses

1. The seller reserves the right to improve or modify any of the products without prior notice, provided that such improvement or modification shall not affect the form and function of the product. 2. This agreement supersedes and invalidates all other commitments and warranties relating to the subject matter hereof which may have been made by the parties either orally or in writing prior to the date hereof, and which shall become null and void from the date of the agreement is signed. 3. This agreement shall not be assigned or transferred by either party except with written consent of the other. 4. Each party shall be responsible for all legal, accountancy or other costs and expenses incurred in the performance of its obligation hereunder.

§ 10. Choice of law: Place of jurisdiction

1. This agreement is subject to the law applicable in the country in which the seller has its registered office. Both parties consent to the exclusive jurisdiction of the court at the registered office of the seller. 2. The seller has the right to sue at the court of competent jurisdiction for the buyer or any other court which may have jurisdiction under national or international law.

